

| FIGURE NO. | CATALOG NO. | DIM "A" INCH. [MM] | DIM "B" INCH. [MM] | DIM "C" INCH. [MM] | RING WIRE SIZE INCH. [MM] | FASTENER TYPE | WEIGHT LBS. [KG] | STANDARD PACK |
|------------|-------------|--------------------|--------------------|--------------------|---------------------------|---------------|------------------|---------------|
| 1 | GM305 | 1.000 [25.45] | 2.250 [57.26] | 0.500 [12.73] | #6 (0.162) [4.12] | TORQUE SCREW | 0.070 [0.03] | 200 |
| 2 | GM320 | 1.000 [25.45] | 2.500 [63.63] | 0.750 [19.09] | #4 (0.204) [5.19] | TORQUE SCREW | 0.110 [0.05] | 200 |
| 2 | GM3203 | 1.000 [25.45] | 3.250 [82.71] | 0.750 [19.09] | #4 (0.204) [5.19] | TORQUE SCREW | 0.120 [0.05] | 200 |
| 3 | GM321 | 1.200 [30.48] | 2.500 [63.63] | 0.750 [19.09] | #4 (0.204) [5.19] | TORQUE SCREW | 0.070 [0.03] | 200 |
| 4 | GM322 | 1.000 [25.45] | 2.500 [63.63] | 0.750 [19.09] | #4 (0.204) [5.19] | PRESSED PIN | 0.110 [0.05] | 200 |
| 4 | GM3223 | 1.000 [25.45] | 3.250 [82.71] | 0.750 [19.09] | #4 (0.204) [5.19] | PRESSED PIN | 0.120 [0.05] | 200 |

| ITEM | DESCRIPTION | MATERIAL |
|------|-------------|--------------------------|
| 1 | BODY | EXTRUDED ALUMINIUM ALLOY |
| 2 | RING | ALUMOWELD |
| 3 | BOLT | ALUMINIUM |
| 4 | PIN | SPRING STEEL |

B

B

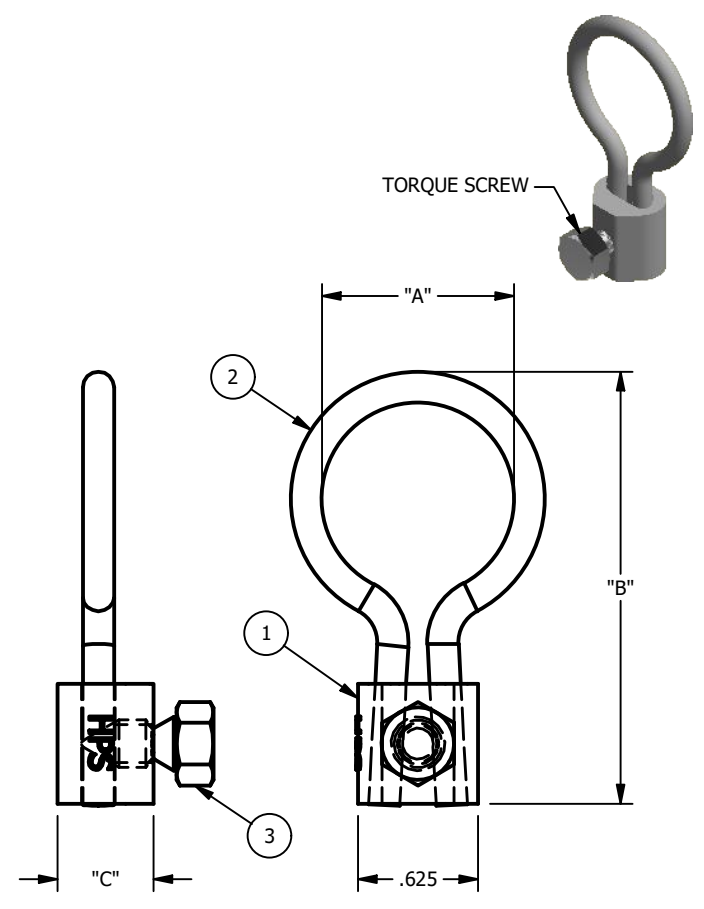


FIG 1

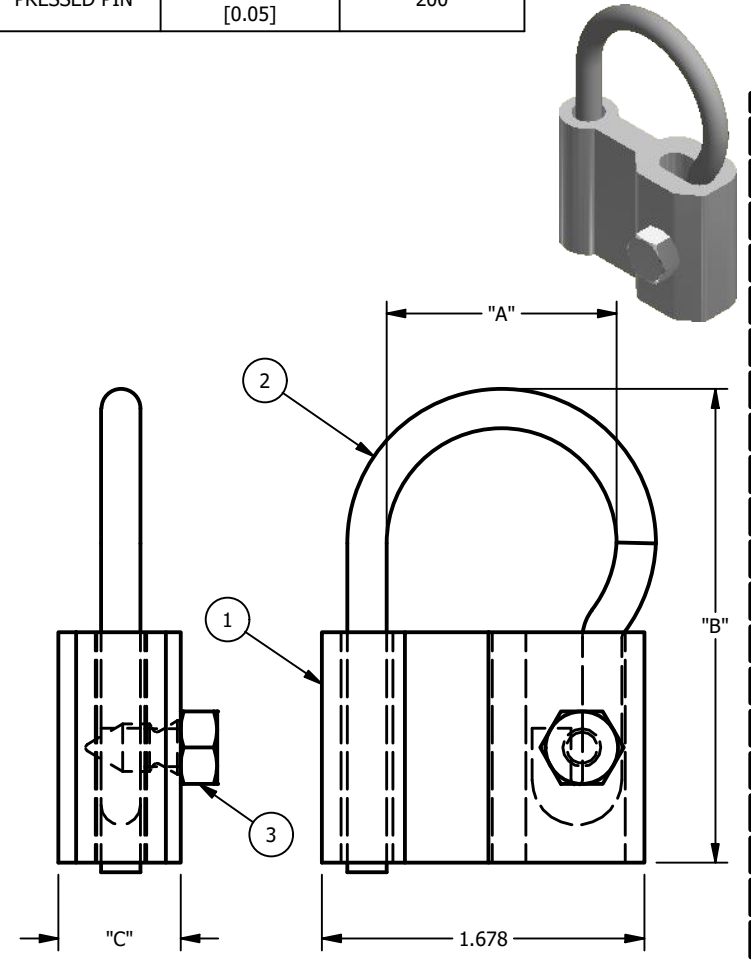


FIG 2

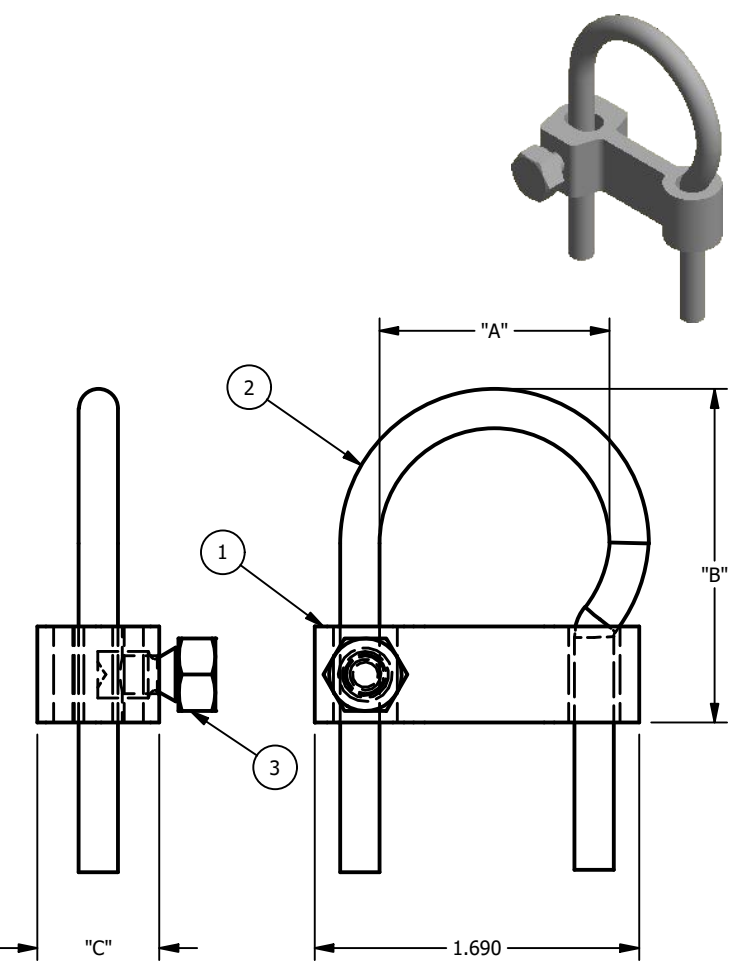


FIG 3

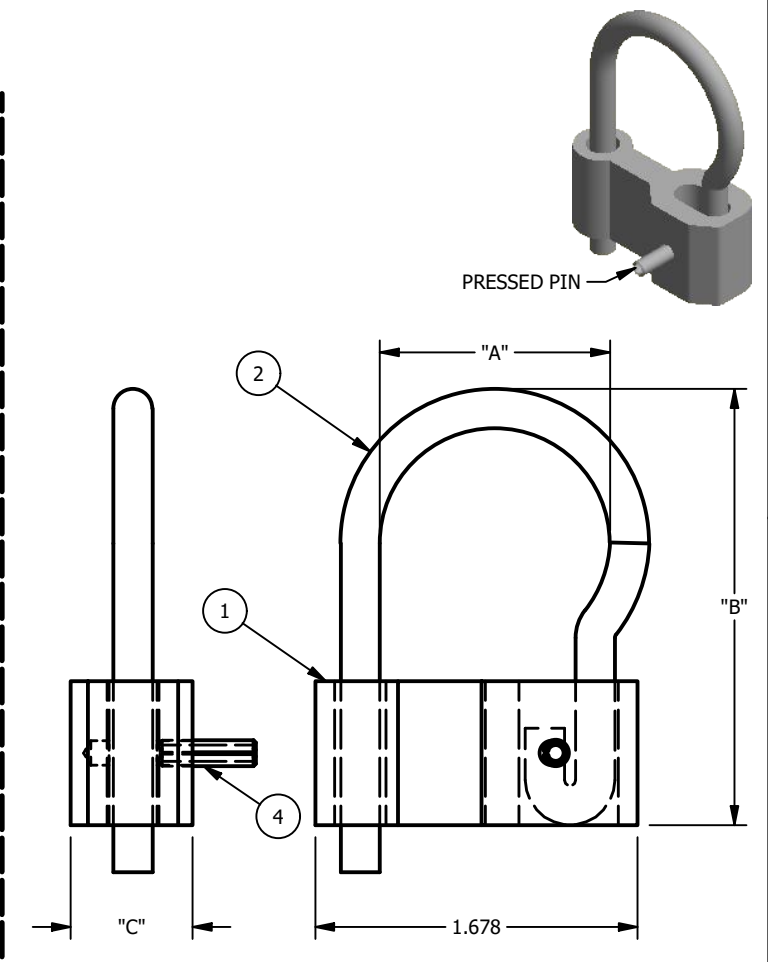


FIG 4

A

A

NOTES:

- ALL DIMENSIONS FOR REFERENCE ONLY. DISTANCE IN. [MM], FORCE LBS. [kN], TORQUE IN. LBS. [N.m] & WEIGHT LBS. [KG]
- RATINGS:
A. NA
- SUFFIXES & VARIANT CONFIGURATION:
A. NA

| | | | | |
|--|----------|------------|------------|-------------|
| 21115014370 | 11/15/21 | SAV | AC | SD |
| EC # | DATE | CHANGED BY | CHECKED BY | APPROVED BY |
| DESCRIPTION: REMOVED CATALOG GM306 & GM307 FROM TABLE DRAWING VIEW ADJUSTED AND DIMENSIONS UPDATED | | | | |
| ADDITIONAL COMMENTS: -- | | | | |

THIRD ANGLE PROJECTION

CONFIDENTIAL:
THIS DRAWING AND ITS CONTENTS ARE CONFIDENTIAL AND THE EXCLUSIVE PROPERTY OF HUBBELL POWER SYSTEMS. NO PUBLICATION, DISTRIBUTION OR COPIES MAY BE MADE WITHOUT THE WRITTEN CONSENT OF HUBBELL POWER SYSTEMS. HUBBELL POWER SYSTEMS UNPUBLISHED ALL RIGHTS RESERVED UNDER THE COPYRIGHT LAWS

HUBBELL POWER SYSTEMS, Inc.
POWER SYSTEMS, INC.

TITLE
TAMPERPROOF EQUIPMENT LOCKS

CATALOG NUMBER: SEE TABLE

| | | | |
|------------------|----------------------------|-------------------------------------|------------------|
| SIZE B | DWG NO. CC-26887 | PART / ASSY NO. SEE TABLE | REV 03 |
|------------------|----------------------------|-------------------------------------|------------------|

SCALE: 1 : 1 DRN BY **MK** DATE **01/12/20** SHEET 1 OF 1